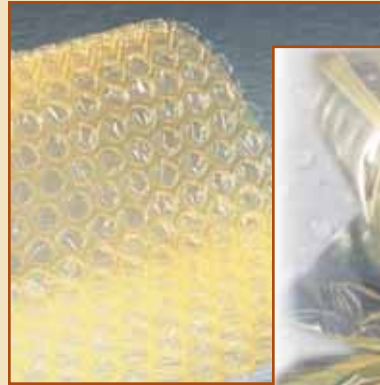


Air Pillows and Corrosion Protection



The AirPouch™ machine can be found on page 6



DuraClear™ 2000 Polyethylene Air Pillow Material

DuraClear polyethylene material is strong, light, and compact, allowing for better protection and reduced shipping costs. The AirPouch system uses this specially formulated pillow material coupled with patent pending EZ-Tear perforations which offer several design features that result in convenient and more efficient packing.

The AirPouch Express 3 Void-fill System uses DuraClear 2000 (DC2) material for strong, durable air pillows that improve protection while reducing packing and shipping costs.

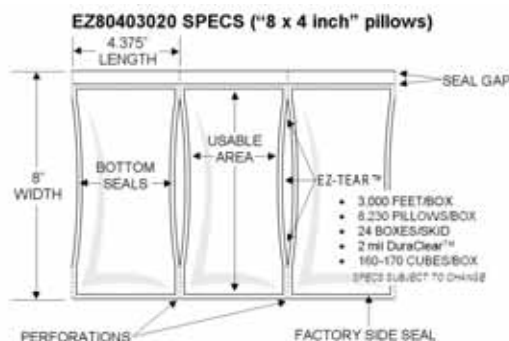
- DC2 is a specially formulated, linear low density polyethylene film with superior durability, puncture-resistance, clarity and strength and is stronger than most other LLDPE materials
- It is strong, light and compact allowing for better protection and reduced shipping costs
- DuraClear air pillows are available in the standard 2.0 mil for most void fill packing applications (yields 3000 linear feet per box), or in a 1.5 mil gauge for a lower-cost alternative in applications that require moderate durability and puncture resistance (yields 4000 linear feet per box)
- Comes fan-folded in convenient sized boxes that contain 50 to 100% more material than most roll format void fill

Available sizes:

8" and 10" wide in various standard lengths. Custom sizes available

Printing:

Available in unprinted, stock printed, or custom printed



Corrosion Inhibiting Protective Bags

Zerust packaging materials contain proprietary chemical formulations that release an invisible, odorless, and non-toxic corrosion inhibiting vapor into the air inside the bag. Simply place metal parts into Zerust packaging and seal it. Within two or three hours the interior of the package will be saturated with Zerust vapor molecules and a powerful corrosion inhibiting molecular layer will form on all exposed metal surfaces. Later, when the parts are removed from the packaging, the Zerust corrosion inhibiting molecular layer will immediately vaporize into the atmosphere. This leaves behind clean, dry and corrosion free parts that are ready for immediate use and require no further cleaning or handling.

DESCRIPTION/SIZE	CTN CT	ITEM CODE
3.2 mil, 4" x 6"	2000	325-F-00021
3.2 mil, 5" x 8"	2000	325-F-00020
3.2 mil, 6" x 10"	1000	325-F-00019
3.2 mil, 8" x 12"	1000	325-F-00018
3.2 mil, 10" x 12"	1000	325-F-00017
3.2 mil, 67" x 26" x 65"	50	325-F-00013
6 mil, 5" x 24"	250	025-F-00259

Protective Bubble Cushioning

Zerust bubble cushioning is strong and lightweight packaging with active corrosion protection, offering corrosion protection as well as physical protection. Provides superior strength, extraordinary air retention, and powerful corrosion protection for short or long-term shipping and storage applications.

- Vapor molecules protect enclosed product from rust and corrosion for up to 5 years
- Can be used with other Zerust products, or alone in crates, cabinets, cavities, engines, and other enclosures
- Corrosion inhibiting products are environmentally friendly, non-toxic, odorless, and non-allergenic
- Have been cleared by the FDA for protecting metals used in food processing and packaging
- Has no coating of chemicals that flake off, stick to, or otherwise damage the product they are designed to protect

DESCRIPTION/SIZE	ITEM CODE
48" x 500', 3/16" Thick, with UV1 Protection	650-F-00006

There are many other sizes of Zerust Protective Bags and Bubble Cushioning available. Contact your Carlson Systems Account Manager for more information.